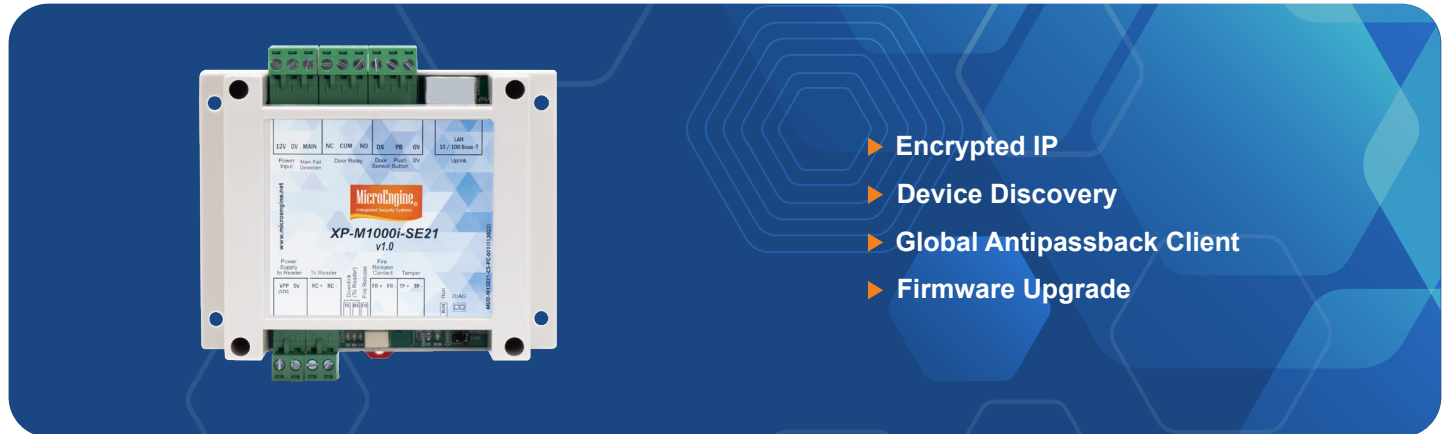


## Data Sheet | Controller

# XP-M1000i-SE21

## 1 Door IP Access Controller



### Product Description

XP-M1000i-SE21 Controller is single door IP access controller designed with proven and reliable technology. The XP-M1000i-SE21 Controller is built in with Encrypted IP contains all the intelligence and necessary inputs/outputs to manage one door. This DIN Rail form factor controller can support up to 16 digits of card number format.

### Product Features

- Encrypted IP**  
 The XP-M1000i-SE21 controller is built in with encrypted IP with AES 128 format.
- Device Discovery**  
 The feature allows the software to detect all devices connected within the IP network for configuration and installation.
- Global Antipassback Client**  
 The XP-M1000i-SE21 controller also able to interface as GAC Client.
- Firmware Upgrade**  
 Able to upgrade firmware through software

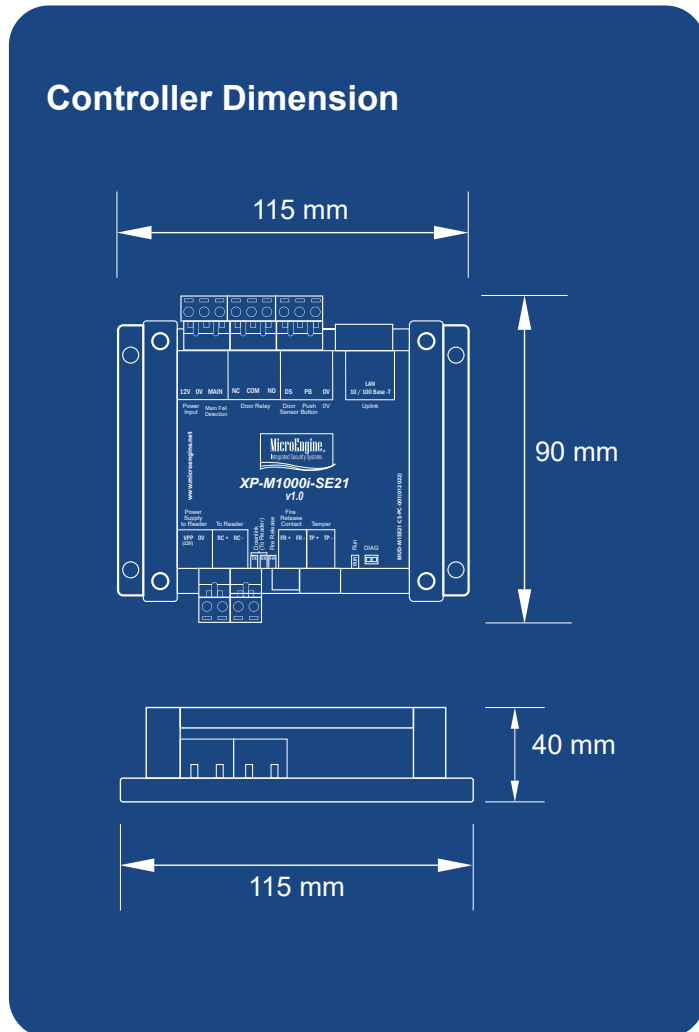
### Product Specification

Card Holder Size	10,000 (Card Length: 16 Digits)
Max Transactions Log	50,000
Connect to Software	TCP/IP
Connect to Reader	Max. 2 (PLATO Reader, 1 Entry & 1 Exit)
Reader Interface Module (XP-MK-WG10S)	Max. 2 ( 3rd Party Weigand Reader, 1 Entry & 1 Exit)
Input(s)	4 1 Door Sensor + 1 Exit Button 1 Dedicated Fire Alarm 1 Dedicated Tamper Input
Output(s)	Yes, (1) support max. 12VDC, 1A
Real Time Clock	With On-Board Battery
Power Fail Monitor	Yes
Processor	PIC32-bit RISC MCU at 80 Hz
Data Flash Memory	EEPROM:128 KB, Flash 4 MB
Flash	512 KB
DIN-Rail Casing Dimension	115 mm (H) x 106 mm (W) x 40 mm (D)
Casing Dimension (MP-340)	267 mm (H) x 310 mm (W) x 72 mm (D)
Power Supply	Input: 240VAC, 1A. Output: 13.8VDC, 2.8A (max).
Power Consumption	Typically 12VDC, 150mA (Controller board only)

\* MIFARE and DESFire are reserved properties of NXP Semiconductor Austria GmbH Styria

# Data Sheet | Controller

## Product Dimension



## Related Product

- ▶ XP-SNET/GAC
- ▶ PLATO-P80MS
- ▶ PLATO-P80KLS
- ▶ PLATO-S82
- ▶ PLATO-M82
- ▶ PLATO-K82
- ▶ XP-MK-WG10S
- ▶ MCI-XPC3000/s
- ▶ MCI-XPC3000
- ▶ MCI-XPC3500

## Ordering Information

### XP-SNET/GAC

Master Controller For Global Anti-Passback. Switching power supply battery charger. 12AH Sealed Lead-Acid Rechargeable Battery.

### PLATO-P80MS

Proximity Reader. 125 kHz EM. RS485. ABS Casing. MCMC Certified.

### PLATO-P80KLS

Proximity Reader with Keypad & LCD. 125 kHz EM. RS485. Smart Touch Sense Keypad. Graphic LCD Display. ABS Casing. MCMC Certified.

### PLATO-S82

MIFARE/CEPAS Contactless Reader. 13.56 MHz ISO14443A / B. RS485. ABS Casing. Small Size. MCMC Certified. (Replacement Model for PLATO-C80S)

### PLATO-M82

MIFARE Classic / DESFire Advanced High Security Multi-Format 13.56 MHz ISO14443A / B. Encrypted RS485 - Read CSN and Encrypted Profile ID. ABS Casing. MCMC Certified. (Replacement Model for PLATO-RM80MS)

### PLATO-K82

MIFARE Classic / DESFire Advanced High Security Multi-Format 13.56 MHz ISO14443A / B. Color Graphics LCD. Touch Sense Keypad. Encrypted RS485 - Read CSN and Encrypted Profile ID. ABS Casing. MCMC Certified. (Replacement Model for PLATO-RM80KLS)

### XP-MK-WG10S

Wiegand to PLATO RS485 Adaptor. Wiegand Format. Must be certified with FAT.

### MCI-XPC3000/s

Standalone Software License Dongle xPortal3000

### MCI-XPC3000

xPortal3000 Client / Server Software License

### MCI-XPC3500

xPortal3500 Client / Server Software License Full edition, max 3 clients, max 64 controllers or 128 doors (whichever comes first)