

## Data Sheet | Controller

# XP-Q1300i-CA25

## 1 Door IP Access Controller



### Product Description

XP-Q1300i-CA25 Controller is single door IP access controller designed with proven and reliable technology. The XP-Q1300i-CA25 Controller is built in with Encrypted IP contains all the intelligence and necessary inputs/outputs to manage one door. This DIN Rail form factor controller can support up to 20 digits of card number format.

### Product Features

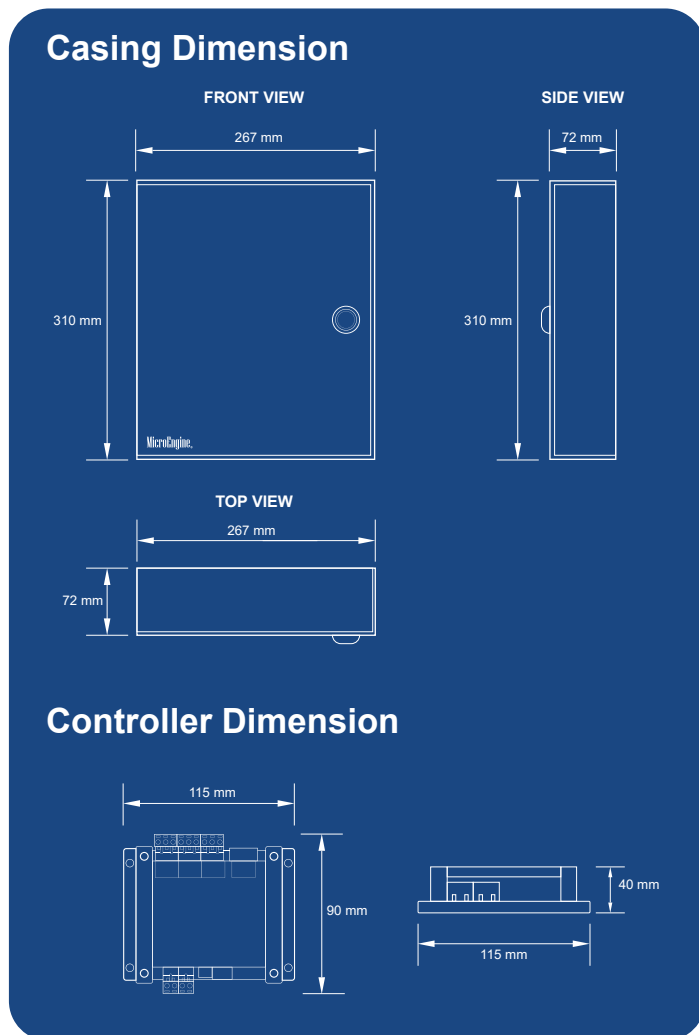
- Encrypted IP**  
 The XP-Q1300i-CA25 controller is built in with encrypted IP with AES 256 format.
- Device Discovery**  
 The feature allows the software to detect all devices connected within the IP network for configuration and installation.
- Global Antipassback Client**  
 The XP-Q1300i-CA25 controller also able to interface as GAC Client.
- Firmware Upgrade**  
 Able to upgrade firmware through software.

### Product Specification

Card Holder Size	30,000 (Card Length: 20 Digits)
Max Transactions Log	50,000
Connect to Software	TCP/IP
IP Encryption Strength	AES 256
Connect to Reader	Max. 2 (PLATO Reader, 1 Entry & 1 Exit)
Reader Interface Module (XP-MK-WG10S)	Max. 2 ( 3rd Party Weigand Reader, 1 Entry & 1 Exit)
Input(s)	4 1 Door Sensor + 1 Exit Button 1 Dedicated Fire Alarm 1 Dedicated Tamper Input
Output(s)	Yes, (1) support max. 12VDC, 1A
Real Time Clock	With On-Board Battery
Power Fail Monitor	Yes
Processor	PIC32-32bit MIPS MCU at 80 MHz
Data Flash Memory	EEPROM: 256 KB, Flash 4 MB
Flash	512 KB
DIN-Rail Casing Dimension	115 mm (H) x 106 mm (W) x 40 mm (D)
Power Consumption	Typically 12VDC, 150mA (Controller board only)

# Data Sheet | Controller

## Product Dimension



## Related Product

- ▶ XP-Q2300iCA-CP
- ▶ XP-M4L-CA25
- ▶ XP-QNET-GAC-CA
- ▶ PLATO-M82-CA
- ▶ xPortalNetHSv2.0PS-CA

## Ordering Information

### XP-Q2300iCA-CP

2 Door Network Controller. 4 RS485 In & Out / 2 Weigand Reader Connection. TCP/IP Uplink. AES-256 Encrypted IP. 2 Relay Outputs & 4 Inputs. 30,000 Users, 50,000 Event Transactions. Power Supply & Back Up Battery. Metal Enclosure.

### XP-M4L-CA25

Lift Access Controller (4 COP Panel). 30,000 Users, 50,000 Event Transactions. Encrypted TCP/IP Uplink. AES-256 Encrypted IP. Din Rail Type. (MK800CA Reader Interface Required)

### XP-QNET-GAC-CA

Master Controller For Global Anti-Passback. AES-256 Encrypted IP. HENGFU switching power supply battery charger. 7AH Sealed Lead-Acid Rechargeable Battery. Metal Enclosure.

### PLATO-M82-CA

Advanced Multi-Format 13.56 MHz ISO14443A/B Reader Supports MIFARE Classic / DESFire. Encrypted RS485. Reads CSN and Encrypted Profile ID. ABS casing. MCMC certified.

### xPortalNetHSv2.0PS-CA

xPortalNet v2.0 High Security Platform AES 256 Software.